

Hand Pallet Truck

Model: Funlift 26

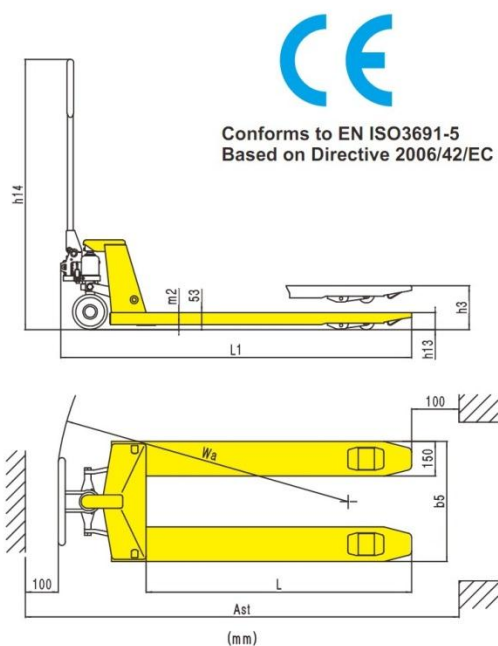
1KG=2.205LB 1INCH=25.40MM

Hot Sale

Model		Funlift 26
Capacity	Q(kg)	2600
Lowered fork height	h_{13} (mm)	85
Steering wheel	mm	ϕ 200x50
Fork wheel single	mm	ϕ 80x70
Fork wheel tandem	mm	ϕ 80x70
Max. lift height	h (mm)	200
Total height	h_{14} (mm)	1240
Overall length	l (mm)	1540
Fork length	l (mm)	1150
Width overall forks	b (mm)	540/685
Ground clearance, centre of wheelbase	m_1 (mm)	22
Aisle width for pallets 1000x1200 crossways	A_1 (mm)	1720/1790
Aisle width for pallets 800x1200 lengthways	A_2 (mm)	1770/1790
Turning radius	W (mm)	1335
Service weight	kg	76/80

Remark: Special size fork width and length can be made according to customer's requirement.

Economy



Economic design pallet truck

- Standard epoxy powder coat finish which is resistant to chips and normal corrosion.
- Exceptionally strong but light weight steel construction, service weight is only 55kgs.
- With welded joints and reinforced fork tips for most durability in the toughest applications.
- 3 position hand control - Raise, Lower, Neutral.
- Excellent turning angle of 190 degrees facilities.
- Number of pump strokes 12 times, lift height per stroke 11mm.
- Reliable oil leak-proof hydraulic system.
- Option: 1) Nylon wheel, polyurethane wheel, rubber wheel, single fork roller or tandem fork rollers.
2) Fork length: 800mm, 900mm, 1000mm, 1100mm.